

HITTO VM II PRO series

Hybrid Energy Storage Inverter

1.6/3.2/3.5/5.5kW

HIGON



MPPT

Pure sine wave MPPT solar inverter
BUILT-IN 80/100A MPPT solar charger



Battery

Battery equalization function extend lifecycle
Reserved communication port (RS485, CAN) for BMS



Off-Grid

HITTO VM II Pro series is suitable for off-grid applications.

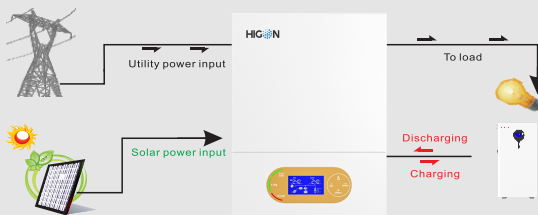


Easy access

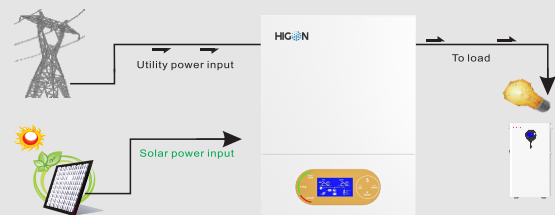
High PV input voltage range
With touch buttons



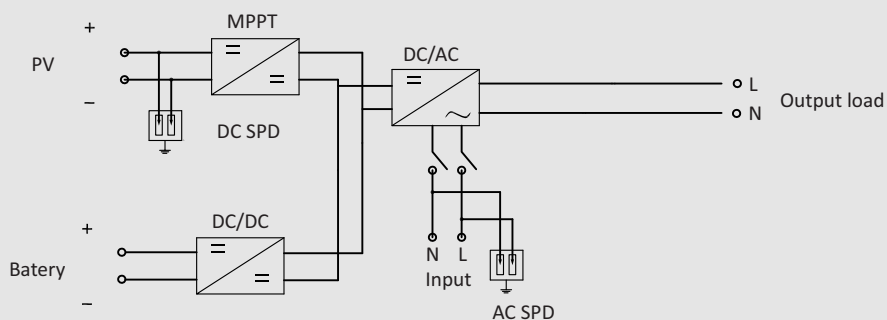
With battery connected



Without battery connected



Schematic diagram



OFF GRID INVERTER

Technical Specification	HITTO VM II PRO			
Rated Power	1600VA/1600W	3200VA/3200W	3500VA/3500W	5500VA/5500W
AC INPUT				
Voltage	230VAC			
Selectable Voltage Range	170-280VAC(For Personal Computers); 90-280 VAC (For Home Appliances)			
Frequency Range	50Hz/60 Hz (Auto sensing)			
AC OUTPUT				
AC Voltage Regulation (Battery Mode)	230VAC ± 5%			
Surge Power	3200VA	5000VA	7000VA	11000VA
Efficiency (Peak)	up to 93.5%			
Transfer Time	10ms (For Personal Computers); 20ms (For Home Appliances)			
Waveform	Pure sine wave			
BATTERY				
Battery Voltage	12VDC	24VDC	48VDC	
Floating Charge Voltage	13.5VDC	27VDC	54VDC	
Overcharge Protection	16VDC	33VDC	63VDC	
SOLAR CHARGER & AC CHARGER				
Maximum PV Array Open Circuit Voltage	500VDC			
Maximum PV Array Power	2000W	3200W	4500W	5500W
MPPT Range @ Operating Voltage	60~450VDC		60~450VDC	
Maximum Solar Charge Current	80A		100A	
Maximum AC Charge Current	60A		80A	
Maximum Charge Current	80A		100A	
GENERAL PARAMETER				
Operating Temperature	-10°C to 50°C			
Relative humidity	5% to 95% Relative Humidity (Non-condensing)			
Dimensions D x W x H (mm)	348*280*95		400*300*115	
Net Weight(KG)	5	5.5	8.5	9
DISPLAY AND COMMUNICATION				
Communication Interface	Standard: RS232; Optional: CAN&RS485			
Safety standard	EN/IEC 62109-1, EN/IEC 62109-2			

